



Get More

# MG5 EV

Fully Electric | Fully Loaded



Long Range





# The New MG5 EV Long Range

Europe's first fully electric, fully loaded estate car

The new MG5 EV Long Range gives you more on every level. Whether you're taking off with the family or hitting the road on business, Europe's first fully electric, spacious and feature-filled estate gives you room for everything you need.

There's a host of features to make the journey easier – including our innovative MG Pilot driver assistance technology. One of the most reassuring features of the new MG5 EV Long Range is our 8 year warranty, giving you peace of mind journey after journey.



\*1,367 litres with the rear seats folded flat.

# At a glance

## Big on space

We all need personal space, and the new MG5 EV Long Range has plenty to offer.

Up to five passengers can travel in comfort, while the boot has ample room for everyone's luggage.

There's 479 litres with the load cover in place, or 578 litres with it retracted.

Drop the 60:40 folding seat and you've got 1,367 litres for everything from large boxes and bikes to sports gear.

## Big on features

The new MG5 EV Long Range keeps you connected and in control.

The 10.25" colour touchscreen features Apple CarPlay™, Android Auto™, reversing camera and satellite navigation.

Not to mention MG Pilot, our high-tech suite of driver assistance technology to give you more confidence and safety on the road.





# Built for business or leisure

The new MG5 EV Long Range is designed for everyday life, but it's by no means ordinary. With generous boot capacity and a roomy cabin, your passengers can relax while it easily handles the load.

---

Whatever you need to transport, the new MG5 EV Long Range takes it all in its stride. From suitcases to bulky boxes, musical instruments to double buggies, you can move more in one go. And if the load is larger than normal, just drop the back seats and take advantage of 1,367 litres of space.

The spacious boot still leaves room for back seat passengers, who can enjoy plenty of head and legroom, even behind a taller-than-average driver. In the front, you can get comfortable with driver's lumbar support, a six-way adjustable driver's and four-way adjustable passenger seats.

On the SE there's fabric upholstery, while the Trophy comes with heated front seats and leather-style upholstery.



# Smart Features

## for a more satisfying drive



### Drive safer

Our advanced MG Pilot driver assistance technology gives you the added confidence of state-of-the-art warning and alert features. It includes Adaptive Cruise Control to maintain a safe distance from the car in front; as well as Active Emergency Braking, Lane Keep Assist, Traffic Jam Assist, and Intelligent High Beam Assist that automatically dips the headlights when they detect an oncoming driver.

- MG Pilot
- Adaptive Cruise Control
- Apple CarPlay™ / Android Auto™
- 10.25" colour touchscreen
- Satellite navigation
- USB ports
- Bluetooth

From the electric powertrain upwards, the new MG5 EV Long Range is loaded with features that make your journey easier, smarter and safer.

### Drive easier

Keyless entry and push button start make setting off simple. On the road, the 10.25" colour touchscreen puts DAB radio, Bluetooth, USB ports, satellite navigation, air conditioning, Apple CarPlay™ and Android Auto™ all at your fingertips - so you can keep track of the traffic in between your favourite podcasts or albums.





# Driving Down running costs

Whether you're driving the family or on the road for business, you can look forward to low running costs with the new MG5 EV Long Range.









# MG Pilot

The MG Pilot suite of high-tech driver assistance technology gives you added confidence on the road. A selection of warning and alert features assist the driver, maintaining safety and simplifying everyday driving.

Traffic Jam Assist (TJA)



Adaptive Cruise Control (ACC)





### Adaptive Cruise Control (ACC)

Adaptive Cruise Control monitors the road ahead. As long as the road ahead is clear, ACC maintains the speed set by the driver. If the system spots a slower vehicle within its detection range, it gently reduces speed by releasing the accelerator or actively engaging the brake control system. If the vehicle ahead speeds up or changes lanes, ACC automatically accelerates back to the driver's desired speed.

### Intelligent Speed Limit Assist

The car will actively detect speed limit signs and alert the driver of the current speed limit by way of a symbol on the driver's instrument cluster. The symbol acts as a reminder to the driver, reducing the risk of exceeding the speed limit.

### Intelligent High Beam Assist

When the headlight high beam is set to the AUTO position, the system automatically switches to low beam when it detects a vehicle ahead. This enables drivers to maximise the use of high beam, making night-time driving safer, without the risk of dazzling oncoming traffic.

### Active Emergency Braking (AEB)

At speeds below 12mph, the car will automatically apply its brakes to avoid a collision with a vehicle, bicycle or pedestrian. At speeds above 12mph, AEB will reduce the likelihood or mitigate the severity of an accident.

### Lane Keep Assist (LKA)

Lane Keep Assist uses a camera to detect lane markings ahead and monitors the vehicle's position in its lane. When the function detects the vehicle is about to unintentionally move out of its lane, it warns the driver by means of a visual, audible and steering wheel vibration. The car will also control the steering to keep within its lane.

### Traffic Jam Assist (TJA)

When Adaptive Cruise Control is turned on, Traffic Jam Assist continuously analyses the speed of the surrounding vehicles and compares it with its own driving speed. If the system detects dense traffic or a traffic jam at speeds below 35mph, the driver can activate TJA. The car will automatically follow the vehicle in front, controlling its acceleration, braking and steering within the same lane.



\*\* Conditions Apply



# Stay connected & in control

MG iSMART Lite is here to help



The convenient MG iSMART Lite suite of connected technologies helps you make the most of every trip.

The MG5 Electric's intelligent functions include:

- Find your vehicle using the smartphone app
- Remote control for certain key functions
- Vehicle health scan
- 10.25" on-board touchscreen for managing car features
- Advanced vehicle control
- Connectivity functions including Bluetooth access



# A choice of **6** colours

Make it your own. Choose from a range of dynamic, popular colours and finishes to suit every taste.



**ARCTIC WHITE**  
STANDARD PAINT



**BLACK PEARL**  
METALLIC PAINT\*



**COSMIC SILVER**  
METALLIC PAINT\*



**DYNAMIC RED**  
TRI-COAT PAINT\*



**HAMPSTEAD GREY**  
METALLIC PAINT\*



**PICCADILLY BLUE**  
METALLIC PAINT\*

\*Tri-coat and metallic paint optional at extra cost.

# Comfortable

---



- LED Headlights
- Silver roof rails
- MG Pilot driver assistance technology
- 10.25" colour touchscreen
- DAB radio
- Android Auto™ / Apple CarPlay™
- 6-speaker audio system with 3D sound
- Bluetooth connection
- Rear parking camera
- Electric parking brake with Auto-Hold

- Three driving modes (Eco, Normal, Sport)
- Satellite navigation
- Three regenerative braking modes (1,2,3)
- Rotary gear selector
- Speed sensing locking
- Adaptive Cruise Control
- Smart keyless entry with push start
- Trip computer
- Air conditioning with odour filter
- Fabric upholstery

- Leather steering wheel
- Driver & passenger sun visor with mirror
- 7" colour driver information display
- Front & rear electric windows with driver's one-touch up/down
- 4x USB ports (2 front, 2 rear)
- Driver's seat lumbar adjustment
- Vehicle to load charging (Max load 2200W)
- iSMART Smart keyless entry with push button engine start
- USB mobile phone charging function
- 12v power socket



# Luxury

---



- LED Headlights
- Silver roof rails
- MG Pilot driver assistance technology
- 10.25" colour touchscreen
- DAB radio
- Android Auto™ / Apple CarPlay™
- 6-speaker audio system with 3D sound
- Bluetooth connection
- Rear parking camera
- Electric parking brake with Auto-Hold
- Three driving modes (Eco, Normal, Sport)
- Satellite navigation
- Three regenerative braking modes (1,2,3)
- Rotary gear selector
- Speed sensing locking
- Adaptive Cruise Control
- Leather style perforated upholstery
- Heated front seats
- Electric driver's 6-way adjustable seat
- Auto air conditioning with odour filter
- Smart keyless entry with push start
- Trip computer
- Air conditioning with odour filter
- Fabric upholstery
- Leather steering wheel
- Driver & passenger sun visor with mirror
- 7" colour driver information display
- Front & rear electric windows with driver's one-touch up/down
- 4x USB ports (2 front, 2 rear)
- 360° parking camera
- Rain sensing wipers
- 17" alloy wheels
- Rear privacy glass
- Front & rear electric windows with front & rear one-touch up/down
- Auto dimming rear view mirror
- Driver's seat lumbar adjustment
- Vehicle to load charging (Max load 2200W)
- iSMART Smart keyless entry with push button engine start
- USB mobile phone charging function
- 12v power socket

# Technical specification

Product Specification	
Make	SAIC
Brand	MG
Model	MG5

Performance	COM	LUX
Electric Motor	PMS motor	
Length	4,600mm	
Width	1,818mm	
Height	1,521/1,543mm (with roof rack)	
Wheelbase	2,665mm	
Ground clearance	115mm	
Rear trunk cargo space (unfold/fold)	479/1,367 L	
Unladen mass	1,562Kg	
Towing capacity (unbraked)	500Kg	
Towing capacity (braked)	500Kg	
Max. motor power	115kW	130kW
Motor peak torque (Nm)	280Nm	
Battery capacity	61.1kWh	
Battery type	NMC (Lithium Nickel Manganese Cobalt)	
Wall-mounted charger max power (kW)	7kW or 11kW*	
DC charging time (0-80%)	40min	
Max speed	185Km/h	
Acceleration (0-100 km/h)	8.3s	
Max. driving range (Km)**	Combined	379
	City	505

COM - Comfortable Version / LUX - Luxury Version

\* Subject to local power supply

\*\*Drive range can vary according to road conditions or driver's habits.

Safety & Security	COM	LUX
Alarm	•	•
Immobilizer	•	•
E-call system	•	•
ESP	•	•
EBA	•	•
HDC	•	•
Auto hold	•	•
EPB	•	•
Rear door child lock	•	•
Rear seat ISOFIX	•	•
Rain sensor		•
Tyre Pressure Monitoring System	•	•
Front Airbag - Driver & Passenger	•	•
Side Airbag - Driver & Passenger	•	•
S/curtain airbags - Driver & passenger	•	•
Passenger-side airbag switch	•	•
Adaptive Cruise Control (ACC)	•	•
Intelligent High Beam Control (IHC)	•	•
Speed Assistance System (SAS)	•	•
Front Collision Warning (FCW)	•	•
Automatic Emergency Braking (AEB)	•	•
Lane Departure Warning (LDW)	•	•
Traffic Jam Assistance (TJA)	•	•
Traffic Sign Recognition (TSR)	•	•
Lane Keep Assistance (LKA)	•	•
LED Day time Running Lamps	•	•
LED Head Lights	•	•
LED taillight	•	•
Rear LED fog lamps	•	•
Twilight sensor	•	•
High-mounted braking light	•	•
Rear parking sensor	•	•
Rear camera with guidance lines	•	•
360° camera with guidance lines		•
Front 3-point + pretensioner	•	•
Rear 2 sides 3-point + pretensioner	•	•
Front and rear safety belt reminder	•	•

Exterior	COM	LUX
Roof rail	•	•
Spoiler	•	•
Boneless front wipers	•	•
Rear wiper	•	•
Tinted windows	•	•
Privacy rear windows	•	•
Rear windshield heating	•	•
Out side mirror heating	•	•
Turning indicator	•	•
Electrical adjustment	•	•
Retractable mirrors		•
Body colour side mirrors	•	•
Body colour door handles	•	•
Partially chromed door handles	•	•

Interior & Electrical	COM	LUX
Lazy lock		•
12V socket	•	•
Trunk cover	•	•
Trunk lamp	•	•
Knob shifter with back light	•	•
Chromed door handles	•	•
Sun visor with mirror and lamp	•	•
Headlights home function	•	•
Auto anti-dazzling interior mirror		•
Rear reading lights	•	•
Manual control air conditioning	•	
Climate control air conditioning		•
Air conditioning with PM2.5 filter	•	•
Electric Windows	•	•
Driver-side auto up & down	•	
All window auto up & down		•
Driver-side anti-pinch	•	
Front and rear anti-pinch		•
Leather with stitch	•	•
4-way adjustable	•	•

Interior & Electrical	COM	LUX
Multifunction	•	•
7" Digital cluster	•	•
DAB+	•	•
6 Speakers	•	•
2 microphones	•	•
4 USB ports	•	•
Bluetooth	•	•
MG iSMART Lite remote control	•	•
Navigation with range prediction	•	•
Scheduled charging	•	•
Apple CarPlay™/Android Auto™	•	•
Central locking system	•	•
Keyless entry	•	•
One-button engine start	•	•
EV Driving mode selection	•	•
Kinetic energy regeneration system	•	•
Driver seat 6-way adjustable	•	•
Driver seat electrically adjustable		•
Passenger seat 4-way adjustable	•	•
Driver seat manual lumbar support		•
Map pocket behind front seats	•	•
Fabric seats	•	
Leather seats		•
Front-seat heating	•	•
Central armrest with cup holder	•	•
40:60 foldable rear seats	•	•

Rim and tyre	COM	LUX
205/60 R16	•	
215/50 R17		•
16" alloy rim	•	
17" dual-colour alloy rim		•
Tyre repair set	•	•

Maximum charging rates, estimated charging times and driving range will vary dependent on vehicle driving style and climatic conditions.





Rear seat fold



Comfort - 16" alloy rim



Outside mirror camera



Luxury - 17" dual-colour alloy rim

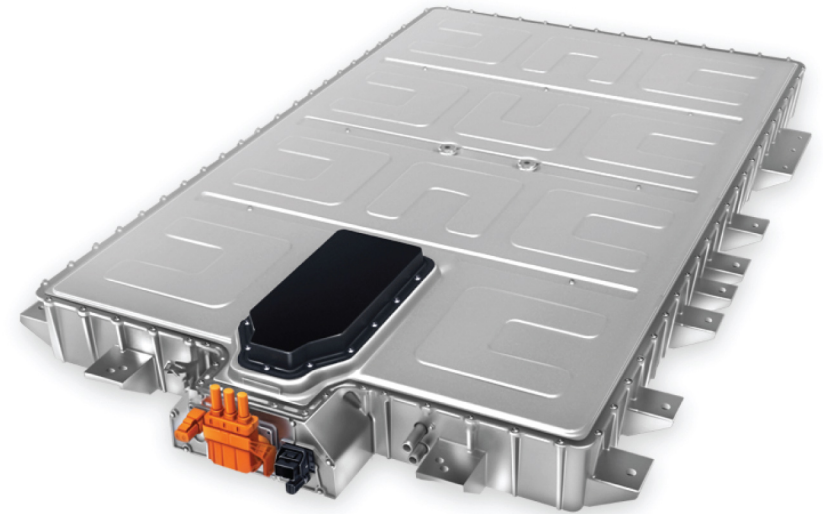


Comfort - black fabric seats

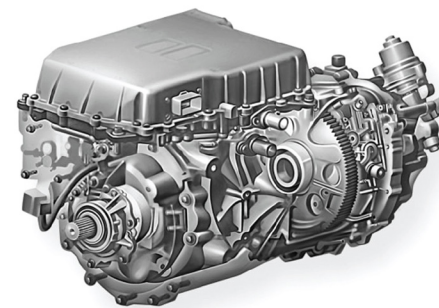


Luxury - black leather seats

Lasting peace of mind comes as standard with every MG. The new MG5 EV Long Range offers the reassurance of 8 year warranty, which includes the lithium-ion battery, Motor and BMS.



Tested and certified IP67 water and dust resistant with a LIQUID COOLING SYSTEM, the battery will be able to operate at optimum performance under many difficult conditions.



## Powerful Electric Motor

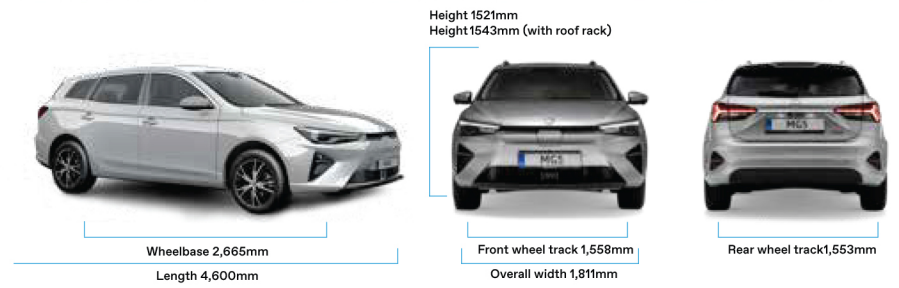
High performance electric motor delivers maximum driving response.



Terms & Conditions : Every effort has been made to ensure that the contents of this publication were accurate and up to date at the time of being published (February 2023). Please note colours and accessories are for illustrative purposes only. Colours and finishes replicated are subject to limitations of the printing process and may vary from actual colour and paint finish. MG Motor UK endorses a policy of continuous improvement and reserves the right to make changes at any time without notice to colours, accessories, material, design, shape, specification and models. Items may be discontinued at any time. Actual UK specifications may vary from the vehicles shown.



#873, Kandy Road, Wedamulla, Kelaniya. Sri Lanka.  
 Tel: 0094 11 5770 770  
 www.microcars.lk info@microcars.lk



©MG5x642023